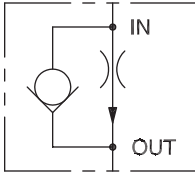


PCM88

Fixed, Free Reverse, Externally Ported
Pressure-Compensated Flow Regulator Valve



IN-LINE



DESCRIPTION

A fixed cartridge valve designed to regulate flow regardless of load pressure. This valve is a restrictive-type flow regulator designed for a wide variety of flow applications.

The male outlet port allows for quick installation into existing manifolds for meter-in control with free flow in the opposite direction.

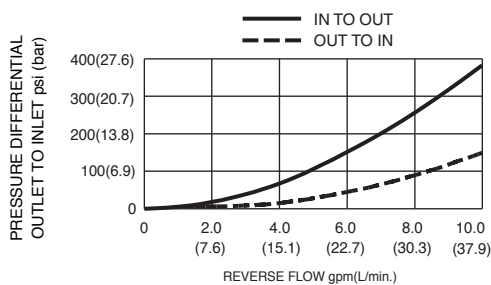
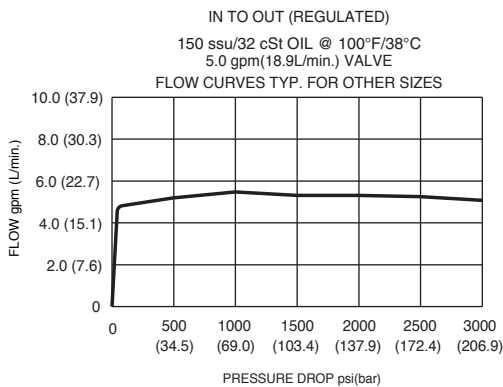
OPERATION

The PCM88 maintains a constant flow within specified accuracies from inlet to outlet regardless of downstream load pressure. When flow produces a minimum predetermined pressure differential across the compensator spool control orifice, the spool shifts against the spring force to throttle the flow and maintain the flow setting. In the reverse direction the spool shifts to permit free flow.

FEATURES and BENEFITS

- Pressure-compensated.
- Quiet response.
- Free-reverse.
- Industry common cavity.

PRESSURE DROP VS. FLOW



SPECIFICATIONS

Operating Pressure: 3000 PSI (207 Bar)

Flow: Ranges from 1 gpm to 10 gpm (3.8 to 37.9 L/min.)
(See ordering table)

Flow Tolerances: Flows up to and including
1.5 gpm (5.7 L/min.) $\pm 15\%$
Flows over 1.5 gpm (5.7 L/min.) $\pm 10\%$

Temperature: -30°F to +250°F (-35°C to +120°C)

Recommended Filtration: ISO 17/15/13

Fluids: Mineral-based fluids.

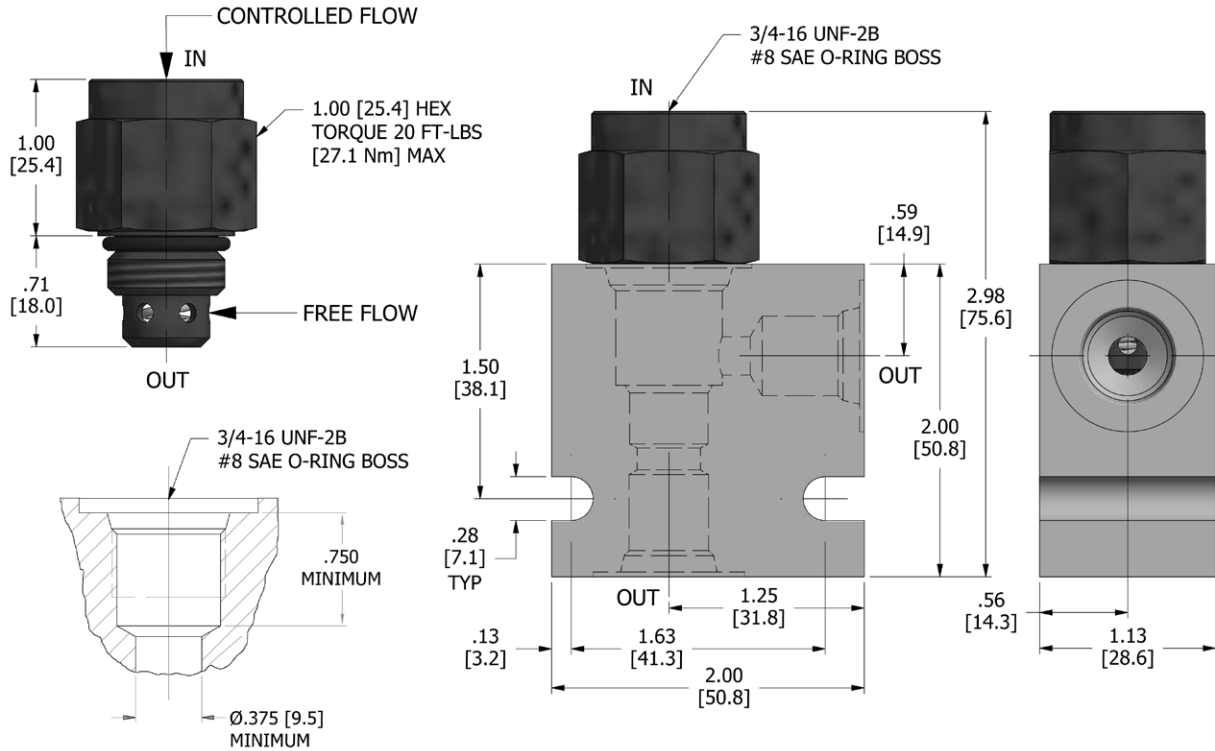
For other fluid compatibility, consult factory.

Cavity: #8 SAE, see page 4.13.2

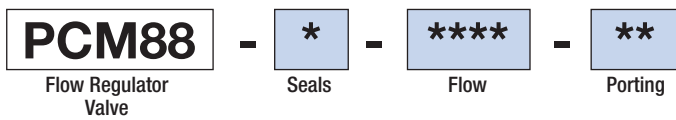
Optional Cavity/Cavity Tool: 080-2, see page 11.08.02

In-Line Body Material: Anodized 6061 T6 aluminum
alloy rated at 3000 PSI (207 Bar).

DIMENSIONS Inches [Millimeters]



HOW TO ORDER



Seals		Seal Kit
N	Buna N	(1) 10031-24

Flow - Nominal [†]	
100	1.00 gpm (3.78 lpm)
200	2.00 gpm (7.57 lpm)
300	3.00 gpm (11.36 lpm)
400	4.00 gpm (15.14 lpm)
500	5.00 gpm (18.93 lpm)
600	6.00 gpm (22.71 lpm)
700	7.00 gpm (26.50 lpm)
800	8.00 gpm (30.28 lpm)
900	9.00 gpm (34.07 lpm)
1000	10.00 gpm (37.85 lpm)

Porting [†]		In-Line Body w/o Cartridge
omit	Cartridge only	
2N	1/4 PTF	B-080-2-2N
3N	3/8 PTF	B-080-2-3N
4T	SAE 4	B-080-2-4T
6T	SAE 6	B-080-2-6T

[†] Other options available – consult factory

All variations may not be configurable. Minimum order quantities may be required on other models. Contact Deltrol Fluid Products for complete details.