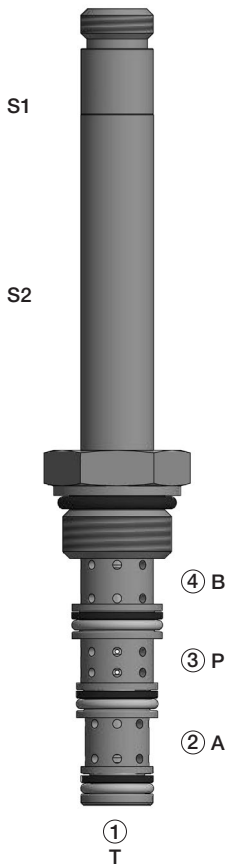
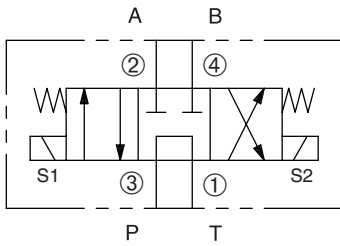


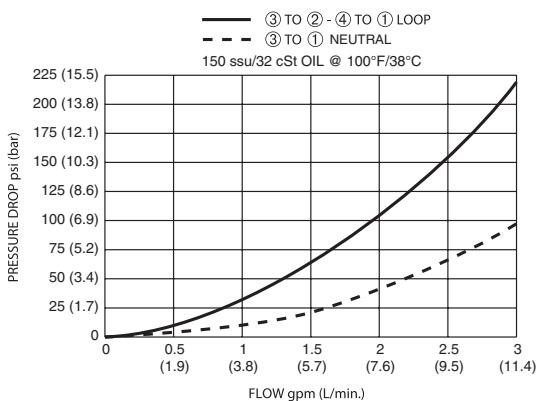
# DSV-080-34T

Four-Way, Three-Position, Tandem Center  
Spool-Type Solenoid Valve

## SERIES 8



## PRESSURE DROP VS. FLOW



## DESCRIPTION

A cartridge valve designed as a three position, four-way solenoid valve.

## OPERATION

When de-energized, the valve allows flow between the ③ and ① ports with ports ② and ④ blocked. When the lower solenoid (S2) is energized, the valve allows flow between the ① and ② ports and the ③ and ④ ports. When the upper (S1) solenoid is energized, the valve allows flow between the ① and ④ ports and the ② and ③ ports.

**Operation of Manual Override Option:** To override, pull the knurled knob to activate the coil "S1" function, or push the knurled knob to activate the coil "S2" function. Release the knurled knob to return the center position.

## FEATURES and BENEFITS

- Continuous-duty solenoid.
- Hardened precision spool and sleeve for long life.
- Efficient wet-armature construction.
- Cartridges are voltage interchangeable.
- Optional coil voltages and terminations.
- Industry common cavity.
- Compact size.

## SPECIFICATIONS

**Operating Pressure:** 3000 PSI (207 Bar)

**Flow:** See PRESSURE DROP VS. FLOW CURVE.

Nominal flow 3 gpm (11.4 L/min.)

**Internal Leakage:** (Per land) 10 cu in./min. max. (164 cc/min.) at 3000 PSI (207 Bar)

**Temperature:** -30°F to +250°F (-35°C to +120°C)

**Coil Rating:** Continuous from 85% to 110% of rated voltage.

**Current Draw:** 12 VDC is 1.3 amps.

**Minimum Pull-In Voltage:** 85% of rated voltage at 3000 PSI (207 Bar)

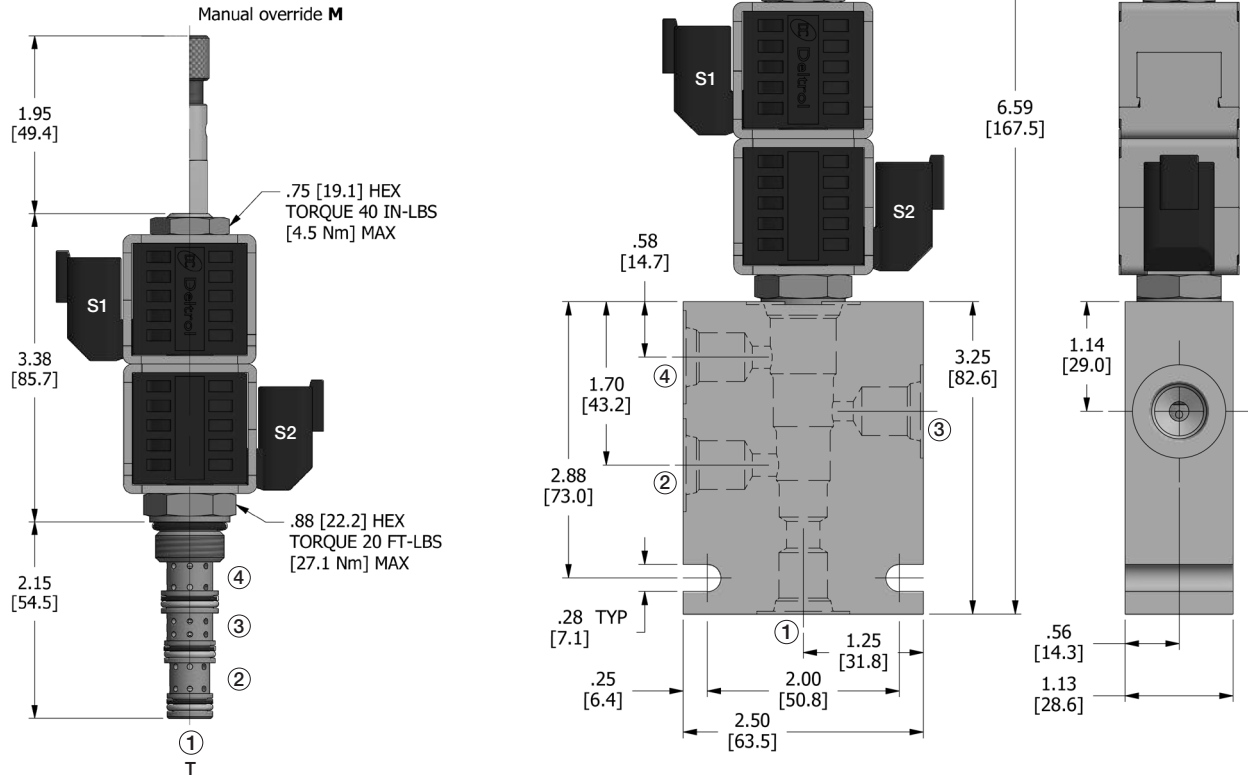
**Recommended Filtration:** ISO 17/15/13

**Fluids:** Mineral-based fluids. For other fluid compatibility, consult factory.

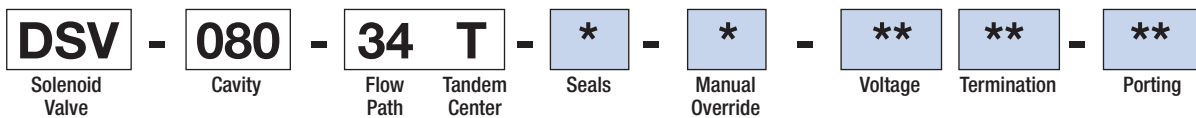
**Cavity/Cavity Tool:** 080-4, see page 11.08.4

**In-Line Body Material:** Anodized 6061T6 aluminum alloy rated at 3000 PSI (207 Bar)

## DIMENSIONS Inches [Millimeters]



## HOW TO ORDER



Seals		Seal Kit
<b>N</b>	Buna N	DSK-080-4-N-x
<b>V</b>	Viton	DSK-080-4-V-x

Manual Override	
omit	No manual override
<b>M</b>	Manual override

Voltage <sup>†</sup>	
omit	Cartridge only w/nut
<b>D1</b>	DC 12 Volt
<b>D2</b>	DC 24 Volt
<b>D9</b>	DC 20 Volt
<b>D10</b>	DC 10 Volt
<b>A5</b>	AC 120 Volt
<b>A6</b>	AC 240 Volt

Termination <sup>†</sup>	
omit	Cartridge only w/nut
<b>DE</b>	Double Lead
<b>SE</b>	Single Lead
<b>HS</b>	Hirschmann®
<b>CS</b>	Conduit
<b>BE</b>	Double Spade
<b>EE</b>	Single Stud
<b>UE</b>	Deutsch
<b>PE</b>	Metri-Pack
<b>JE</b>	Amp Junior Timer

Porting <sup>†</sup>		In-Line Body w/o Cartridge
omit	Cartridge only w/nut	
<b>2N</b>	1/4 PTF	B-080-4-2N
<b>3N</b>	3/8 PTF	B-080-4-3N
<b>4T</b>	SAE 4	B-080-4-4T
<b>6T</b>	SAE 6	B-080-4-6T

<sup>†</sup> Other options available – consult factory

All variations may not be configurable. Minimum order quantities may be required on other models. Contact Deltrol Fluid Products for complete details.