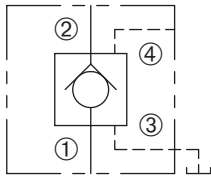


DPCV-100-P

Vented, Pilot To Open, Poppet-Type
Check Valve

SERIES 10

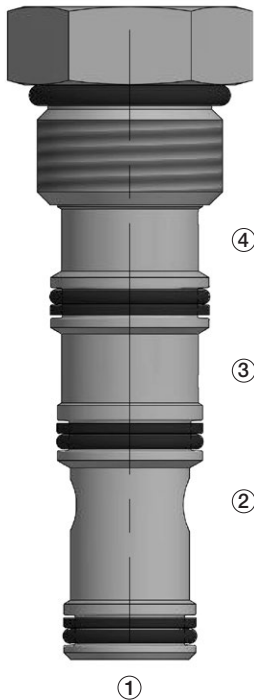


DESCRIPTION

A cartridge valve designed to allow free flow in one direction while preventing flow in the opposite direction. Reverse flow can be achieved by reaching the required pilot pressure. This valve is commonly used as a load-holding or blocking valve.

OPERATION

Pressure at ② overcomes the spring-bias poppet and allows free flow to ①. Flow in the opposite direction, from ① to ②, is blocked by the poppet. When the required pilot pressure is achieved at ④, the poppet unseats and allows flow between ① and ②. Port ③ is vented to tank to keep one side of the pilot piston low pressure and isolated from back pressure at port ②. The pilot piston area to poppet seat area ratio is 3:1.



FEATURES and BENEFITS

- Vented pilot design.
- Hardened poppet and seat for long life.
- Industry common cavity.

SPECIFICATIONS

Operating Pressure: 3000 PSI (207 Bar)

Flow: See PRESSURE DROP VS. FLOW graph.

Internal Leakage: 5 drops/min. max. at 3000 PSI (207 Bar)

Crack Pressure: 15 PSI (1.0 Bar)

Pilot Ratio: 3:1

Temperature: -30°F to +250°F (-35°C to +120°C)

Recommended Filtration: Critical Application – ISO 17/15/13

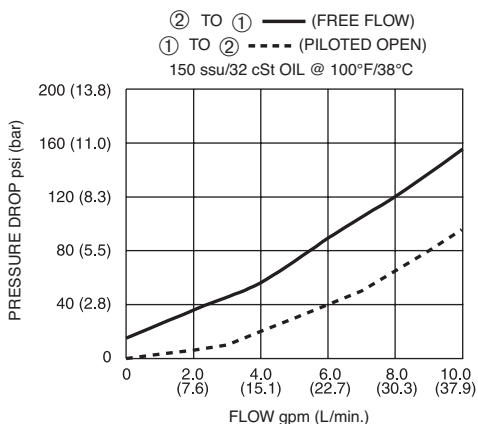
Non-Critical Application – ISO 20/18/14

Fluids: Mineral-based fluids.

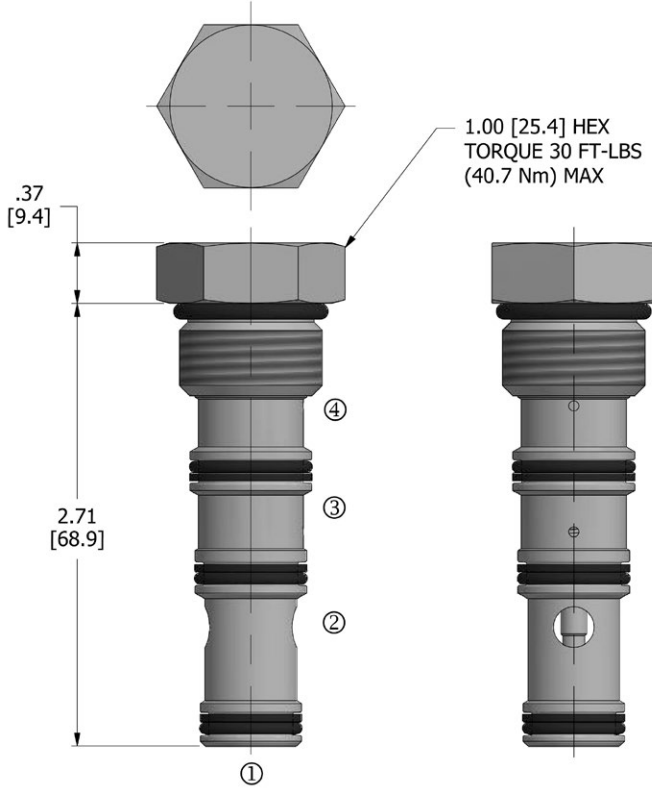
For other fluid compatibility, consult factory.

Cavity/Cavity Tool: 100-4L, see page 11.10.4L

PRESSURE DROP VS. FLOW



DIMENSIONS Inches [Millimeters]



HOW TO ORDER

DPCV - **100** - **P** - ***** - **15**
 Vented Pilot-Operated Check Valve Cavity Poppet Seals Crack Pressure

Seals		Seal Kit
N	Buna N	DSK-100-4L-N-B
V	Viton	

Crack Pressure	
15	15 psi (1.0 Bar)

All variations may not be configurable. Minimum order quantities may be required on other models. Contact Deltrol Fluid Products for complete details.