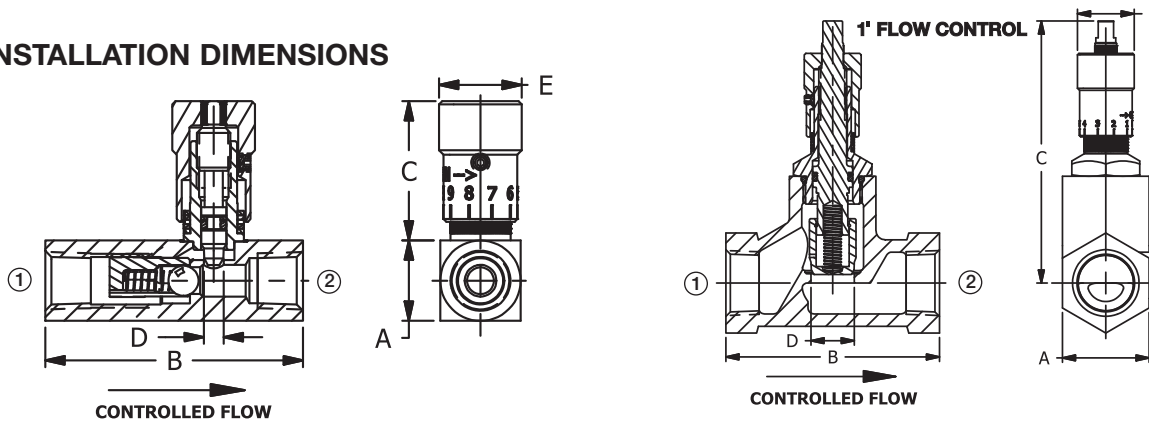


INSTALLATION DIMENSIONS



Pipe Size	A Square	A SAE Square	A HEX	B	B SAE	B ISO	C Open	C Closed	D Orifice	E Diameter
1/8"	5/8 (15.9)	-	-	1-15/16 (49.2)	-	1-15/16 (49.2)	1-9/32 (32.5)	1-1/16 (27.0)	.125 (3.7)	23/32 (18.3)
1/4"	3/4 (19.1)	3/4 (19.1)	-	2-13/32 (61.1)	2-9/16 (65.1)	2-1/2 (63.5)	1-13/32 (35.7)	1-7/32 (31.0)	.187 (9.7)	25/32 (19.8)
3/8"	1 (25.4)	1-1/8 (28.6)	-	2-7/8 (73.1)	3-1/4 (82.6)	2-31/32 (75.4)	1-5/8 (41.3)	1-3/8 (39.9)	.250 (6.4)	57/64 (22.6)
1/2"	1-1/8 (28.6)	1-1/4 (31.8)	-	3-7/16 (87.4)	3-9/16 (90.5)	3-7/16 (87.4)	1-31/32 (50.0)	1-5/8 (41.3)	.312 (7.9)	1-1/64 (25.8)
3/4"	1-3/8 (34.9)	1-1/2 (38.1)	-	3-3/4 (95.3)	4-1/8 (104.8)	3-3/4 (95.3)	2-3/16 (55.6)	1-13/16 (46.1)	.375 (9.5)	1-5/32 (29.4)
1"	-	-	1-3/4 (44.5)	4-1/2 (114.3)	-	-	5-1/16 (128.6)	4-11/16 (119.1)	.875 (22.2)	1-5/32 (29.4)

() Parentheses = Millimeters

HOW TO ORDER



Code	Thread
Omit	NPTF
B	BSPT
BP	BSPP
M	SAE

Code	Material
B	Brass (1" - Leaded Tin Bronze)
S	Carbon Steel (1" - Ductile Iron)
SS	Stainless Steel

Code	SAE Size
Omit	NPTF, BSPT, BSPP
6	9/16-18 UNF
8	3/4-16 UNF
10	7/8-14 UNF
12	1-1/16-12 UN

Code	Size
10	1/8"
20	1/4"
25	3/8"
30	1/2"
35	3/4"
40	1"

HOW TO ADJUST

From the closed position, open the valve by turning the metal knob counter-clockwise until the desired flow volume is obtained.

The colored band on the stem and the numerical readout indicate to what extent the valve is opened or closed. Each color on the color band represents one full turn.

Find the scribe mark on the upper surface of the valve body. The number on the knob in proximity to the scribe mark will indicate 10ths of a turn the valve is opened.

Record the information for future reference.

AVAILABLE MODEL CODES

Size	NPTF Thread			ISO 7/1 - RS - BSP Taper Thread		ISO 7/1 - RP - BSP Parallel Thread		SAE Thread
	Brass	Steel	Stainless Steel	Brass	Steel	Brass	Steel	Carbon Steel
1/8"	EF10B	EF10S	EF10SS	EFB10B	EFB10S	EFBP10B	EFBP10S	-
1/4"	EF20B	EF20S	EF20SS	EFB20B	EFB20S	EFBP20B	EFBP20S	EFM620S
3/8"	EF25B	EF25S	EF25SS	EFB25B	EFB25S	EFBP25B	EFBP25S	EFM825S
1/2"	EF30B	EF30S	EF30SS	EFB30B	EFB30S	EFBP30B	EFBP30S	EFM1030S
3/4"	EF35B	EF35S	-	EFB35B	EFB35S	-	EFBP35S	EFM1235S
1"	EF40B	EF40S	-	-	-	-	-	-