

N° :

DATASHEET

Date : 7 janv. 2021

Universal drive IP20 with options

Unidrive M700-04400172A10100AB100

keypad ; SmartCard_64k ;

Definition

Product range	Unidrive
Model	M700-044-00172A
Model	700 (1 STO - 3 SI options - CodeSys - Ethernet) 6 pulses - internal choke (A)
Onboard Comms	Modbus TCP/IP & EtherNet/IP (2 switched ports)
Onboard intelligence	Machine Control Studio & AMC
Control Connections	1 STO / 3 AI (0-10V & 4-20mA) + 2 AO (0-10V) + 1 DI + 1 DO + 3 DIO + 1 RLY
Product cooling version	Air cooling (A)



Electrical characteristics

Network side electrical characteristics

Power supply number of phases	3
Power supply voltage and frequency	380 to 480V (±10%) 45 to 66Hz
Power supply nominal current (A)	24.0

Motion side electrical characteristics

Heavy duty / Control RFC-A

Continuous output current (A)	17.20 @ 3 kHz - 40°C
Output maximal current (A)	34.40
Maximum overload duration from 100% I _{co} (s) / repetitivity (s)	3.00 / 600.00
Maximum overload duration from cold (s) / repetitivity (s)	28.00 / 600.00

Power supply voltage (V ±10%)	Power supply number of phases	Power supply nominal current (A)	Overload	Maximum ambient temperature (°C)	Switching frequency (kHz)	Continuous output current (A)	Losses (W)
400	3	24.0	Heavy duty	40	3	17.2	210
					4	17.2	227
					6	16.1	249
					8	14.4	262
				12	11.5	274	
				50	3	8.6	211
					8	8.6	253
					12	8.4	276
			Normal duty		40	3	24.0
				4		24.0	307
				6		21.8	325
				8		19.2	329
				50	12	14.6	325
					3	8.6	212
					8	8.6	300
					12	8.4	318

Power supply voltage (V ±10%)	Power supply number of phases	Surcharge	Mode de fonctionnement	Output maximal current (40°C) (A)	Maximum overload duration from 100% I _{co} (s)	Maximum overload duration from cold (s)
400	3	Heavy duty	Closed loop control mode	34.4	3.00	28.00
			Open loop control mode	25.8	7.00	60.00
		Normal duty	Open loop control mode	26.4	9.00	165.00

characteristics

Size	04	Drive flow rate (m3/h)	60
Dimensions (HxWxD)	365 x 124 x200	accoustic noise (dB(A))	56.9
Weight (kg)	8.00	Maximal altitude (m)	1000
Protection indice	IP20	Maximal relative humidity (%)	95

Version V8.305

The information contained in this data-sheet is for guidance only and does not form part of any contract. The accuracy cannot be guaranteed as our compagny have an ongoing process of development and reserve the right to change the specification of their products without notice.

Control Techniques Limited. Registered Office: The Gro, Newtown, Powys SY16 3BE. Registered in England and Wales. Company Reg. No. 01236886.
Moteurs Leroy-Somer SAS. Headquarters: Bd Marcellin Leroy, CS 10015, 16915 Angoulême Cedex 9, France. Share Capital: 65 800 512 €, RCS Angoulême 338 567 258.

DATASHEET

N° :

Date : 7 janv. 2021

Universal drive IP20 with options - Unidrive M700-04400172A10100AB100

Power options, network side

Line choke	In (A)	Inductance (mH)	Losses (W)	Dimensions (HxWxD)	Weight (kg)
-	0	0	0	0 x 0 x 0	0.0

Power options, motion side

Braking transistor **Braking transistor Included**

Integral options

Integrated control interface	Without display and setting
HMI / keypad	KI-KEYPAD LCD
PC communication interface	-
Option slot SM/SI 1	-
Option slot SM/SI 2	-
Option slot SM/SI 3	-
AI Option / Smartcard slot	Settings duplication card (SmartCard_64k)
HD15 / terminals feedback device interface	-

Environmental options

IP / UL / through panel kits	-
Product fan management	-

PNEUTROL INTERNATIONAL LIMITED
sales@pneutrol.com

UK OFFICE:
5 CAULSIDE DRIVE, ANTRIM, BT41 2DU, NORTHERN IRELAND
TEL: + 44 (0) 28 9448 1800, www.pneutrol.com/industrialspares

EUROPEAN OFFICE:
UNIT 6, ST ANTHONY'S BUSINESS PARK DUBLIN, D22 VW95, IRELAND,
TEL: +353 (1) 437 3653, www.pneutrol.com/industrialspares

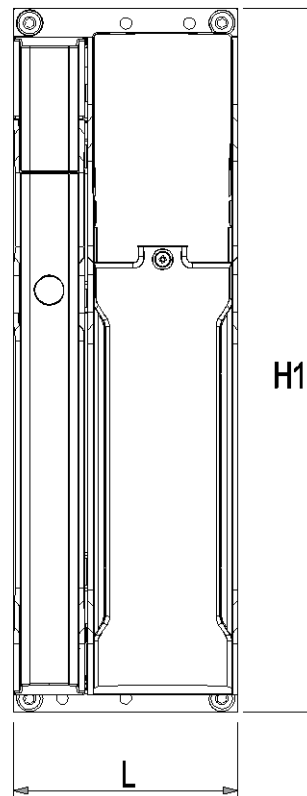
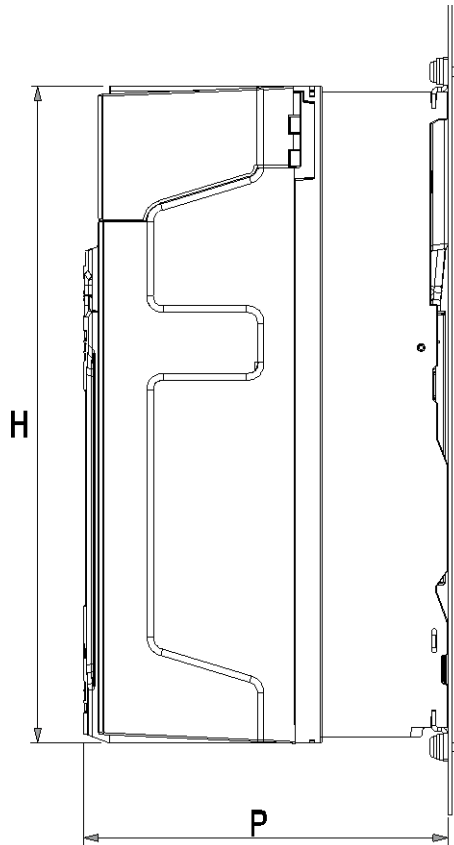
Version V8.305

DATASHEET

N° :

Date : 7 janv. 2021

Variable speed drive (6 pulses) : Unidrive M700-04400172A10100AB100



H (mm)	365
H1 (mm)	391
H2 (mm)	0

L (mm)	124
--------	-----

P (mm)	200
P1 (mm)	0

Weight (kg)	8.00
Total weight (kg)	8.30

PNEUTROL INTERNATIONAL LIMITED
sales@pneutrol.com

UK OFFICE:
5 CAULSIDE DRIVE, ANTRIM, BT41 2DU, NORTHERN IRELAND
TEL: + 44 (0) 28 9448 1800, www.pneutrol.com/industrialspares

EUROPEAN OFFICE:
UNIT 6, ST ANTHONY'S BUSINESS PARK DUBLIN, D22 VW95, IRELAND,
TEL: +353 (1) 437 3653, www.pneutrol.com/industrialspares