

DZ63374-4
(2907)



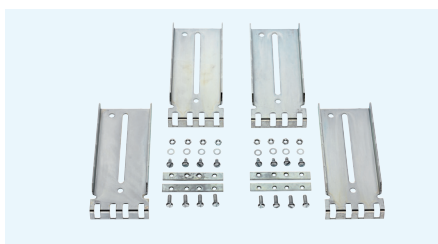
DZ63460-4
(0201, 0204, 0301, 0305)



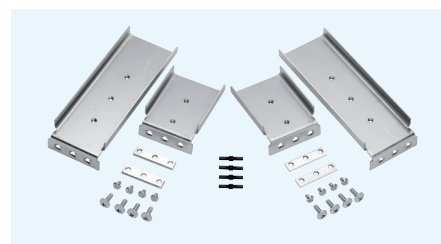
DZ63480-4
(3301, 3307, 3308)



DZ63450-4
(0201, 0204, 0301, 0305)



DZ65490-4
(3607/3657, 5321, 5321SC)



DZ63485-4
(3507)

63xxx	mm												kg
		A (F)	A (R)	B (4)	B (3)	C	D	E	G	H	J	K	
DZ63450-4	0201, 0204, 0301, 0305	69.9	266.7	57.2	-	15.0	6.35	12.7	-	76.2	82.6	165.1	0.46
DZ63460-4	0201, 0204, 0301, 0305	69.9	266.7	-	43.7	15.0	6.5	15.9	-	76.2	82.6	165.1	0.44
DZ63480-4	3301, 3307, 3308	114.6	114.6	-	44.5	18.3	7.4	15.2	66.0	-	-	-	0.41
DZ65490-4	3607, 3657, 5321, 5321SC	140.0	140.0	60.0 -	-	14.0	5.5	15.9	96.0	-	-	-	0.75
DZ63374-4	2907	77.2	153.4	-	44.2	17.5	-	15.9	-	-	-	-	0.38
DZ63485-4	3507	77.6	153.8	-	55.7	17.8	5.3	15.9	-	-	-	-	0.60

(F) Front
Avant
Vorne

(R) Rear
Arrière
Hinten

(4) 4 hole
4 trous
4-Loch

(3) 3 hole
3 trous
3-Loch

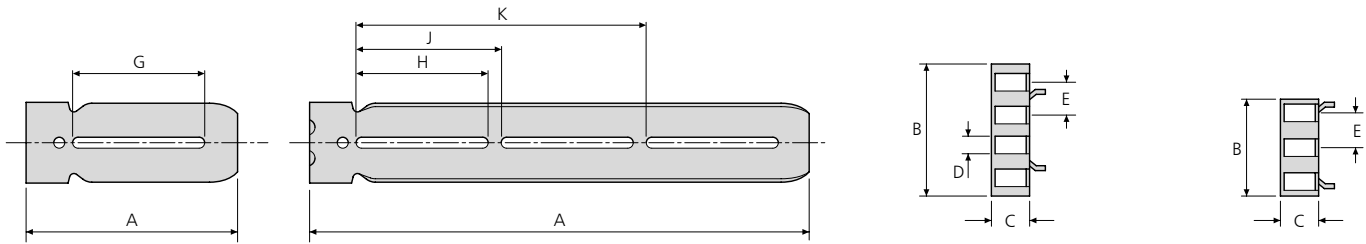
PNEUTROL INTERNATIONAL LIMITED
sales@pneutrol.com

UK OFFICE:
5 CAULSIDE DRIVE, ANTRIM, BT41 2DU, NORTHERN IRELAND
TEL: + 44 (0) 28 9448 1800, www.pneutrol.com/industrialspares

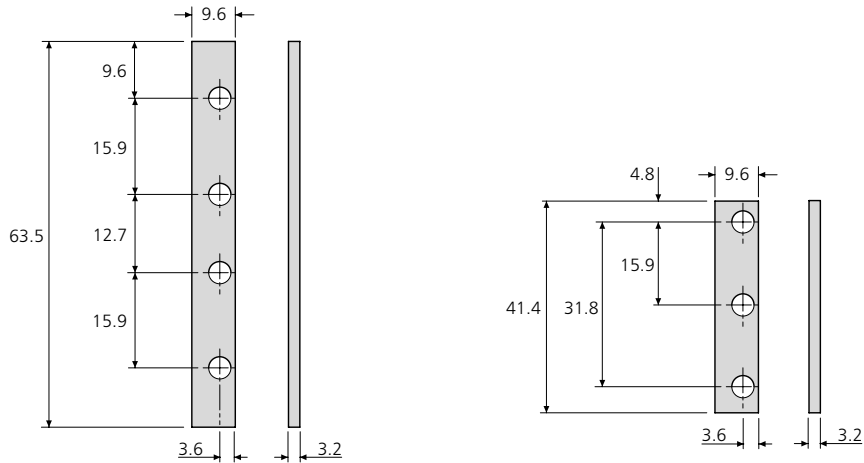
EUROPEAN OFFICE:
UNIT 6, ST ANTHONY'S BUSINESS PARK DUBLIN, D22 VW95, IRELAND,
TEL: +353 (1) 437 3653, www.pneutrol.com/industrialspares

Brackets

Équerres Winkel



Bar nuts Barre taraudée Leistenmuttern



Notes:

- Each kit comprises 4 brackets, 4 bar nuts, 8 screw kits for brackets, 8 fillister head screws. Customer supplies captive nuts
- Please refer to 2D CAD drawings for dimensional tolerances

Notes:

- Chaque kit comprend 4 équerres de fixation, 4 barres taraudées, 8 boulons de fixation, 8 vis de fixation à tête cylindrique fendue. Les écrous cages ne sont pas fournis
- Pour les tolérances dimensionnelles, veuillez vous reporter à nos plans 2D

Hinweise:

- Jeder Satz enthält 4 Winkel, 4 Leistenmuttern, 8 Schrauben für Winkel, 8 Linsenkopfschrauben. Käfig-Muttern im Lieferumfang nicht enthalten
- Bitte beachten Sie die 2D-CAD-Zeichnung wegen Abmessungstoleranzen

PNEUTROL INTERNATIONAL LIMITED
sales@pneutrol.com

UK OFFICE:
5 CAULSIDE DRIVE, ANTRIM, BT41 2DU, NORTHERN IRELAND
TEL: + 44 (0) 28 9448 1800, www.pneutrol.com/industrialspares

EUROPEAN OFFICE:
UNIT 6, ST ANTHONY'S BUSINESS PARK DUBLIN, D22 VW95, IRELAND,
TEL: +353 (1) 437 3653, www.pneutrol.com/industrialspares